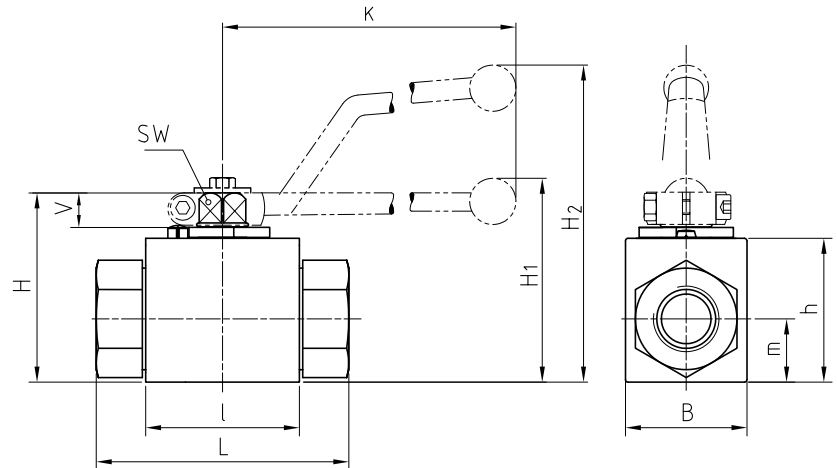


2-way ball valve Steel

BKH / BKHP500

Two-way



AVAILABLE SIZES

DN4 - DN25 (1/8" to 1")

CONNECTIONS

DIN ISO 228 Female thread, ANSI B1.20.1 NPT Female thread, DIN 2353/ISO 8434-1 Light / Heavy series, SAE J 514/ISO/DIS11926-1 Female thread, ISO 7/1 Rc Female thread, ISO 8434-3 ORFS Male thread, others on request

ACCESSORIES ON REQUEST

- Locking devices page 230 - 233
- Actuators 228 - 229
- Mounting holes 17
- Position switches 236 - 237
- Combinations 192 - 194
- Detent on request

MATERIAL CODE DESCRIPTION

Materials	112A	1128
Body	Steel	Steel
Ball	Steel	Steel
Stem	Steel	Steel
Ball seats	POM	POM
O-rings	NBR	FPM
Tmin / Tmax	-20°C / 100°C	-20°C / 100°C

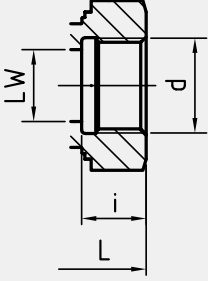
GENERAL DIMENSIONS

Type	L	B	H	h	m	V	SW	K	H ₁	H ₂	Lever
BKH-DN4	40	26	47	33	13,5	11	9	115	-	82	Zn
BKH-DN6	40	26	47	33	13,5	11	9	115	-	82	Zn
BKH-DN8	40	26	47	33	13,5	11	9	115	-	82	Zn
BKH-DN10	43	32	52	38	17,5	11	9	115	-	86	Zn
BKH-DN13	48	35	54	40	19	11	9	115	-	89	Zn
BKH-DN16	48	38	63	46	19	13	12	160	-	106	Al
BKH-DN20	62	49	75	57	24,5	14	14	200	79	-	Zn
BKH-DN25	66	58	83	65	29,5	14	14	200	87	-	Zn
BKHP500-DN25	74	70	88	70	34,5	14	14	200	92	-	Zn
BKH-DN25/32	66	58	83	65	29,5	14	14	200	87	-	Zn
BKH-DN25/40	66	58	83	65	29,5	14	14	200	87	-	Zn
BKHR-DN25	70	55	78	60	26	14	14	171	-	129	Zn

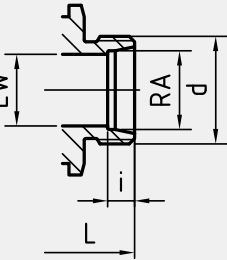
2-way ball valve Steel

BKH / BKHP500

Two-way

CONNECTION TYPE	DIMENSIONS						ORDER CODE PER MATERIAL COMBINATION		
	Type	LW	L	i	d	Weight [Kg]	PN [bar]	112A	1128
DIN ISO 228 FEMALE THREAD 	BKH-DN4-G1/8	5	69	10	G1/8	0,41	500	20639*	34799*
	BKH-DN6-G1/4	6	69	14	G1/4	0,40	500	17401*	17679*
	BKH-DN10-G3/8	10	72	14	G3/8	0,54	500	17185*	19901*
	BKH-DN13-G1/2	13	83	16,3	G1/2	0,65	500	17253*	17165*
	BKH-DN16-G5/8	15	83	16	G5/8	0,70	420	21519*	25726*
	BKH-DN20-G3/4	20	95	18	G3/4	1,50	420	17254*	17183*
	BKH-DN25-G1	25	113	20	G1	2,20	350	17751*	30379*
	BKHR-DN25-G1	24	115	20	G1	2,16	420	68360*	on request
	BKHP500-DN25-G1	25	113	20	G1	3,10	500	43622	43835
	BKH-DN25/32-G1 1/4	25	120	22	G1 1/4	2,30	350	17630*	19765*
	BKH-DN25/40-G1 1/2	25	130	24	G1 1/2	2,60	350	25357*	29191*

CONNECTION TYPE	DIMENSIONS						ORDER CODE PER MATERIAL COMBINATION		
	Type	LW	L	i	d	Weight [Kg]	PN [bar]	112A	1128
ANSI B1.20.1 NPT FEMALE THREAD 	BKH-DN4-1/8"NPT	5	69	10,5	1/8"NPT	0,30	500	02832*	25698*
	BKH-DN6-1/4"NPT	6	69	13,7	1/4"NPT	0,40	500	17174*	24525*
	BKH-DN10-3/8"NPT	10	72	13,5	3/8"NPT	0,55	500	17175*	25700*
	BKH-DN13-1/2"NPT	13	83	17	1/2"NPT	0,75	500	17176*	24526*
	BKH-DN20-3/4"NPT	20	95	18,3	3/4"NPT	1,63	420	17177*	25721*
	BKH-DN25-1"NPT	25	113	21,6	1"NPT	2,30	350	17178*	25722*
	BKHR-DN25-1"NPT	24	115	19	1"NPT	2,3	420	on request	on request
	BKHP500-DN25-1"NPT	25	113	21,6	1"NPT	3,16	500	43836	43837
	BKH-DN25/32-1 1/4"NPT	25	120	22,1	1 1/4"NPT	2,51	350	17179*	25723*
	BKH-DN25/40-1 1/2"NPT	25	130	22,1	1 1/2"NPT	2,70	250	32506*	32165*

CONNECTION TYPE	DIMENSIONS						ORDER CODE PER MATERIAL COMBINATION			
	Type	LW	RA	L	i	d	Weight [Kg]	PN [bar]	112A	1128
DIN 2353 / ISO 8434-1 LIGHT SERIES 	BKH-DN4-6L	5	6	67	7	M 12x1,5	0,36	500	17485*	25703*
	BKH-DN6-8L	6	8	67	7	M 14x1,5	0,37	500	17380*	25704*
	BKH-DN8-10L	8	10	74	7	M 16x1,5	0,38	500	17260*	17600*
	BKH-DN10-12L	10	12	74	7	M 18x1,5	0,50	500	17381*	25705*
	BKH-DN13-15L	13	15	82	7	M 22x1,5	0,61	500	17382*	25706*
	BKH-DN13-18L	13	18	82	7,5	M 26x1,5	0,60	500	18385*	25708*
	BKH-DN16-18L	15	18	82	7,5	M 26x1,5	0,75	420	17486*	25709*
	BKH-DN20-22L	20	22	101	7,5	M 30x2	1,49	420	18567*	25710*
	BKH-DN25-28L	25	28	108	7,5	M 36x2	2,00	350	17427*	25711*
	BKH-DN25/32-35L	25	35	112	10,5	M 45x2	2,12	350	18672*	02868*
	BKH-DN25/40-42L	25	42	112	11	M 52x2	2,27	350	20190*	33207*
	BKHR-DN25-28L	24	28	108	7,5	M 36x2	1,90	420	68368*	on request
	BKHR-DN25/32-35L	24	35,3	116	10,5	M 45x2	2,02	420	68369*	on request
	BKHR-DN25/40-42L	24	42,3	121	11	M 52x2	2,20	420	69221	on request

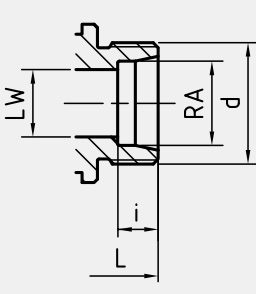
Please note the pressure ratings of the tube connections!

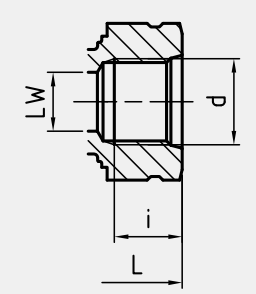
*Article usually in stock.

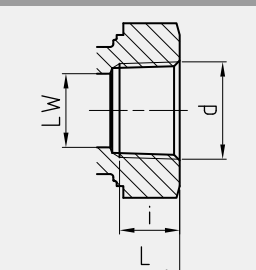
2-way ball valve Steel

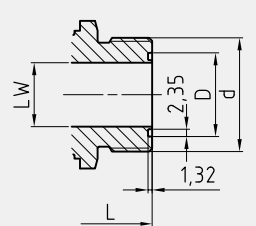
BKH / BKHP500

Two-way

CONNECTION TYPE	DIMENSIONS								ORDER CODE PER MATERIAL COMBINATION		
	Type	LW	RA	L	i	d	Weight [Kg]	PN [bar]	112A	1128	
 DIN 2353 / ISO 8434-1 HEAVY SERIES	BKH-DN4-8S	5	8	73	7	M 16x1,5	0,38	500	18168*	25713*	
	BKH-DN6-10S	6	10	73	7,5	M 18x1,5	0,39	500	18386*	25714*	
	BKH-DN8-12S	8	12	76	7,5	M 20x1,5	0,39	500	17255*	25715*	
	BKH-DN10-14S	10	14	80	8	M 22x1,5	0,50	500	21515*	25716*	
	BKH-DN13-16S	13	16	86	8,5	M 24x1,5	0,60	500	17384*	17984*	
	BKH-DN13-20S	13	20	90	10,5	M 30x2	0,60	500	18169*	25718*	
	BKH-DN16-20S	15	20	90	10,5	M 30x2	0,80	420	17371*	22625*	
	BKH-DN20-25S	20	25	109	12	M 36x2	1,55	420	17624*	25719*	
	BKH-DN25-30S	25	30	120	13,5	M 42x2	2,10	350	18673*	22864*	
	BKHR-DN25-30S	24	30	120	13,5	M 42x2	2,01	420	68376*	on request	
	BKHP500-DN25-30S	25	30	130	13,5	M 42x2	3,06	500	44029	44030	
	BKH-DN25/32-38S	25	38	124	16	M 52x2	2,30	350	21517*	25720*	
	BKHR-DN25/32-38S	24	38,3	134	16	M 52x2	2,20	420	71334	on request	

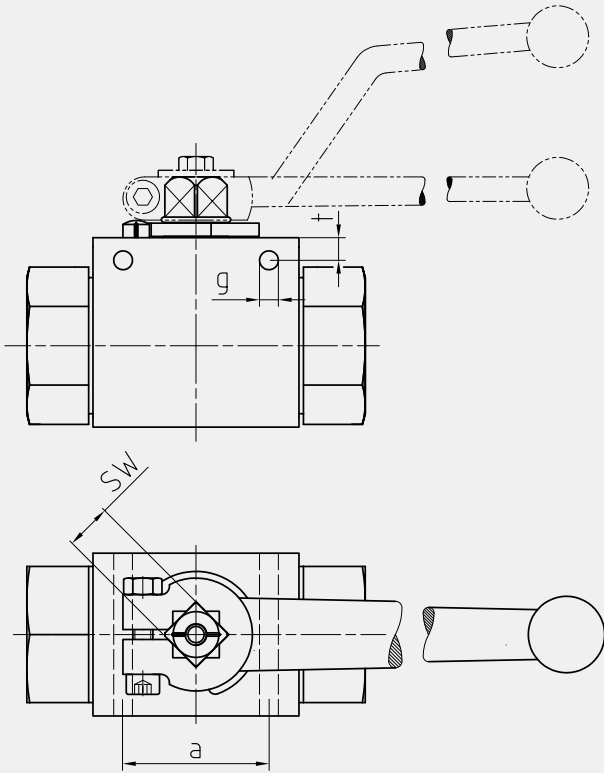
CONNECTION TYPE	DIMENSIONS						ORDER CODE PER MATERIAL COMBINATION		
	Type	LW	L	i	d	Weight [Kg]	PN [bar]	112A	1128
 SAE J514/ISO/DIS11926-1 FEMALE THREAD	BKH-DN6-7/16"UNF	5	69	12	7/16"-20 UNF	0,40	500	28609*	10046*
	BKH-DN10-9/16"UNF	10	72	13	9/16"-18 UNF	0,50	500	23885*	09793*
	BKH-DN13-3/4"UNF	13	83	15	3/4"-16 UNF	0,70	500	22842*	27701*
	BKH-DN20-1 1/16"UN	20	95	20	1 1/16"-12 UN	1,55	420	19202*	27122*
	BKH-DN25-1 5/16"UN	25	113	20	1 5/16"-12 UN	2,20	350	37159*	10048*
	BKHP500-DN25-1 5/16"UN	25	121	20	1 5/16"-12 UN	3,06	500	45667	45669

CONNECTION TYPE	DIMENSIONS						ORDER CODE PER MATERIAL COMBINATION		
	Type	LW	L	i	d	Weight [Kg]	PN [bar]	112A	1128
 ISO 7/1 Rc FEMALE THREAD	BKH-DN4-Rc 1/8"	5	69	7,4	Rc 1/8"	0,40	500	12050	59580
	BKH-DN6-Rc 1/4"	6	69	11	Rc 1/4"	0,39	500	10105	14758
	BKH-DN10-Rc 3/8"	10	72	11,4	Rc 3/8"	0,55	500	26165	16185
	BKH-DN13-Rc 1/2"	13	83	15	Rc 1/2"	0,64	500	10106	35501
	BKH-DN20-Rc 3/4"	20	95	16,3	Rc 3/4"	1,59	420	09384	24264
	BKH-DN25-Rc 1"	25	113	19	Rc 1"	2,30	350	09800	51889
	BKHP500-DN25-Rc 1"	25	113	19	Rc 1"	3,20	500	59578	59579
	BKH-DN25/32-Rc 1 1/4"	25	120	21,4	Rc 1 1/4"	2,37	350	11752	59581

CONNECTION TYPE	DIMENSIONS							ORDER CODE PER MATERIAL COMBINATION		
	Type	LW	L	D	d	O-ring**	Weight [Kg]	PN [bar]	112A	1128
 ISO 8434-3 ORFS MALE THREAD	BKH-DN6									on request
	BKH-DN8-11/16"UN ISO8434-3	6,5	73	12,6	11/16"-16 UN	9,25 x 1,78	0,40	500		on request
	BKH-DN10-13/16"UN ISO8434-3	9,5	80	15,77	13/16"-16 UN	12,42 x 1,78	0,50	500		on request
	BKH-DN13-1"UNS ISO8434-3	12,5	90	19	1-14" UNS	15,6 x 1,78	0,60	500		on request
	BKH-DN16-1 3/16"UN ISO8434-3	15	98	22,17	1 3/16"-12 UN	18,77 x 1,78	0,80	420		on request
	BKH-DN20-1 7/16"UN ISO8434-3	20	111	26,87	1 7/16"-12 UN	23,52 x 1,78	1,60	420		on request
	BKH-DN25-1 11/16"UN ISO8434-3	25	120	33,25	1 11/16"-12 UN	29,87 x 1,78	2,10	250		on request

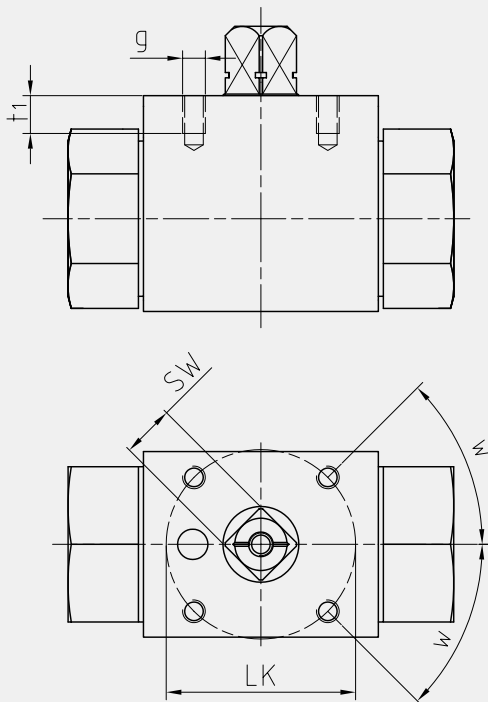
Please note the pressure ratings of the tube connections!
 **O-ring included

*Article usually in stock.



ASSEMBLING HOLES

DN	SW	a	g	t
4	9	31	4,3	4,5
6	9	31	4,3	4,5
10	9	32	4,3	4
13	9	32	4,3	4
16	12	32	5,2	6
20	14	44	6,2	6
25	14	44	6,3	6
25/32	14	44	6,3	6
25/40	14	44	6,3	6



ASSEMBLING THREADS AS PER ISO 5211

DN	SW	LK	g	t ₁	w	ISO 5211
4	9	36	M5	6	30°*	(F03)*
6	9	36	M5	6	30°*	(F03)*
10	9	36	M5	7	45°	F03
13	9	36	M5	6	45°	F03
16	12	42	M5	8	45°	F04
20	14	50	M6	10	45°	F05
25	14	50	M6	10	45°	F05
25/32	14	50	M6	10	45°	F05
25/40	14	50	M6	10	45°	F05

*30° does not correspond to ISO 5211